

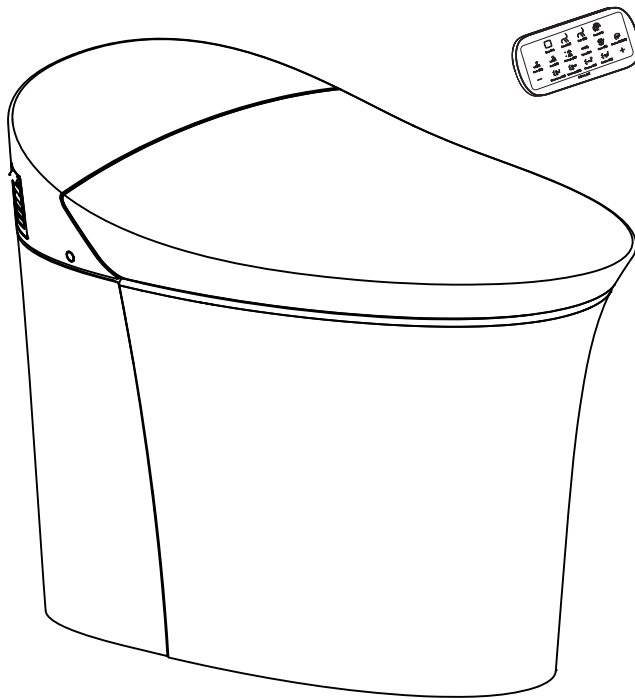
Installation Guide

安装说明

VEIL+ INTELLIGENT TOILET

新维亚智能坐便器

K-5401T-5-HB1



科勒（中国）投资有限公司

中国上海市静安区江场三路158号 邮编：200436

制造商：上海科勒电子科技有限公司

中国上海市宝山区丰翔路1955号 邮编：200444

English page 2-15

中文页码 16-29

1663385-T2-A

THE BOLD LOOK
OF **KOHLER**®

BEFORE YOU BEGIN

- Please read the following instructions carefully and familiarize yourself with the required tools, materials, and installation sequences. Follow the section that pertain to your particular installation. This will help you avoid costly mistakes. In addition to proper installation, please also read all operating and safety instructions.
- All information in the instructions is based upon the latest product information available at the time of publication. Kohler China reserves the right to make changes in product characteristics, packaging, or availability at any time without notice.
- These instructions contain important care, cleaning, and warranty information - please leave instructions for the consumer.
- We appreciate your commitment to Kohler quality. Please take a few minutes to review this manual before installation. If you encounter any installation or performance problems, please don't hesitate to contact us. Thanks again for choosing Kohler Company.
- Pre-arrange enough space for toilet installation. Make sure it will not affect the opening and closing of the door.
- When install the product in the room, a stop valve shall be installed in a close proximity. For emergency circumstances, the water inlet valve shall be stopped without using any tools; otherwise unexpected failure may cause the loss to the customer.
- Confirm the rough in 305mm, it need reach to 292~350mm, otherwise it may affect installation.
- Confirm the distance the water outlet connector away from the finished wall: upper the surface of finished wall by 3mm and lower the surface of finished wall by 5mm, otherwise it may affect installation.
- DN15mm or larger main water pipe is recommended to ensure following water supply requirements.
- Do not use attachments not recommended by Kohler Co. such as angle valve etc.
- Customer shall avoid any obvious pipe shrinkage or blockage from pipe installation or PPR pipe thermal fusion connection for better flushing effect. Ensure inlet water diameter after connection is greater than 15mm.
- Please use the hose and tee valve come with the toilet.
- Please use DN32mm or larger relief valve if there's relief valve installed in water supply pipeline.

NOTES



DANGER: Risk of electric shock. Disconnect power before using.



WARNING: Risk of electric shock. Connect only to circuits protected by Ground-Fault Circuit-Interruptioners (GFCI's) or Earth-Leakage Circuit-Breakers (ELCB's).



CAUTION: Risk of hazardous gases. If a new toilet is not installed immediately, temporarily place a rag in the floor flange opening.

NOTICE: Follow all local plumbing and electrical codes.

NOTICE: Receptacles installed in bathrooms to be located at least 1 meter from a bathtub or shower if practical.

- Observe all local plumbing and building codes.
- Carefully inspect the new toilet for damage.
- Water and electrical supplies may be wall mounted.
- There is a wiring schematic on the inside of the of the junction box cover.



WARNING: Risk of electric shock, fire or personal injury. This product must be installed safely. Connect only to dedicated 220V~, 50Hz, 10A circuit protected by Ground-Fault Circuit-Interruptioners (GFCI's) or Earth-Leakage Circuit-Breakers (ELCB's).



WARNING: Must use 10A receptacle.

Measurements

Unit: mm

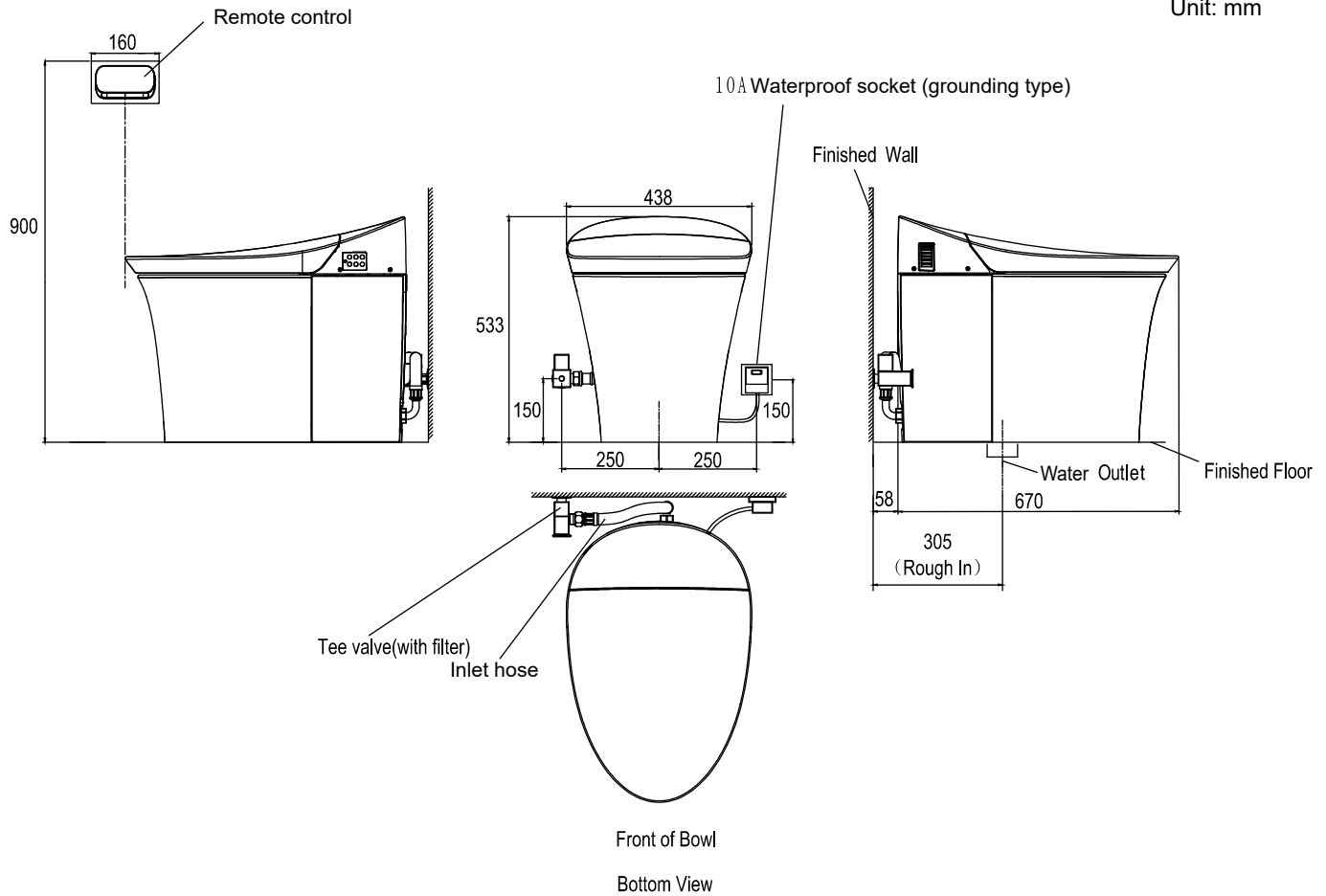


Fig.#3

Kohler reserves the right to change marked dimensions without prior notice.

SPECIFICATIONS

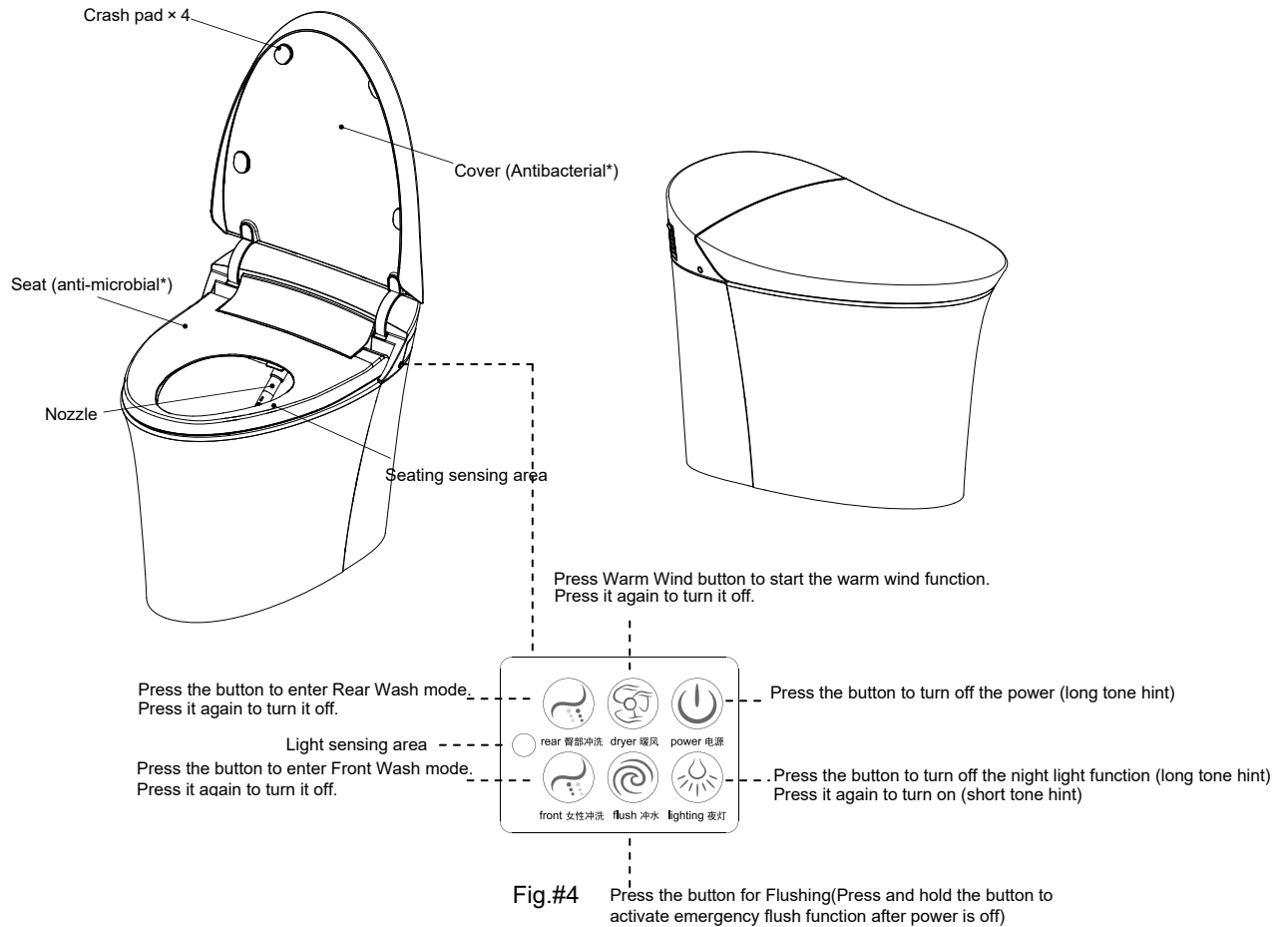
Flush volume	4.0L
Water efficiency grade*	Level II
Pit distance	305mm
Water pressure	Min water pressure 0.07MPa (dynamic pressure) Max water pressure 0.74MPa
Rated voltage	220V~, 50Hz
Rated power*	1090W
Length of power line	About 1.3m
Product outline dimension	About 670mm × 438mm × 533mm
Weight of product	About 48kg
Inlet water temp	1-35°C
Operation Environment	1-40°C

NOTE: See "Homeowner's Guide" for detailed specifications of the bidet seat.

* The description of water efficiency label marked on intelligent toilet: water efficiency label represents a compliance mark of the water efficiency grade etc. performance of intelligent toilet.

* Power value testing condition: dynamic pressure 0.2MPa, inlet water temp 15°C.

Overall Sketch



* Antibacterial: the seat and cover contains long term inorganic anti-bacteria material which will inhibit bacteria growth on surface, this does not represent the mildew and other incidental effects. The antibacterial rate is more than 90%. (Perform test in accordance with GB21551.2-2010 requirements. Testing lab: China household electrical appliances testing institute; electromechanical products testing technology center of Shanghai Entry-Exit inspection and quarantine bureau.)

PREPARATIONS BEFORE INSTALLATION

A. Hold the rim of the vitreous shell and take out the toilet.

WARNING: Risk of personal injury and product damage! Please do not hold the rim of the bidet seat when lifting the toilet. As the toilet is heavy, please seek help if necessary.

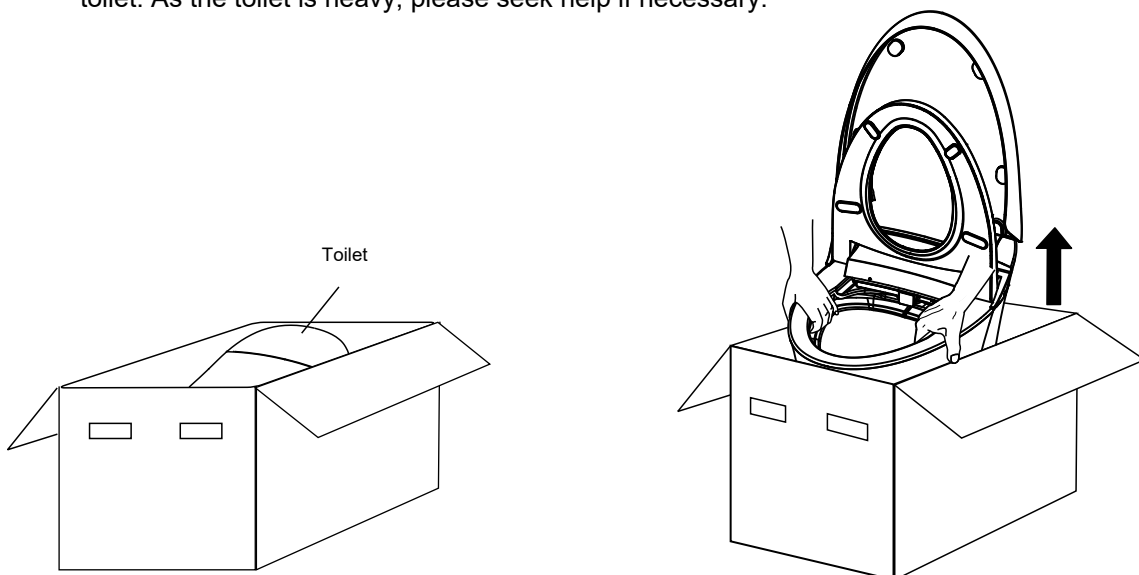


Fig.#5

B. Place an 800mmX800mm cushion on the floor, take out the toilet from the carton then put the toilet on it.

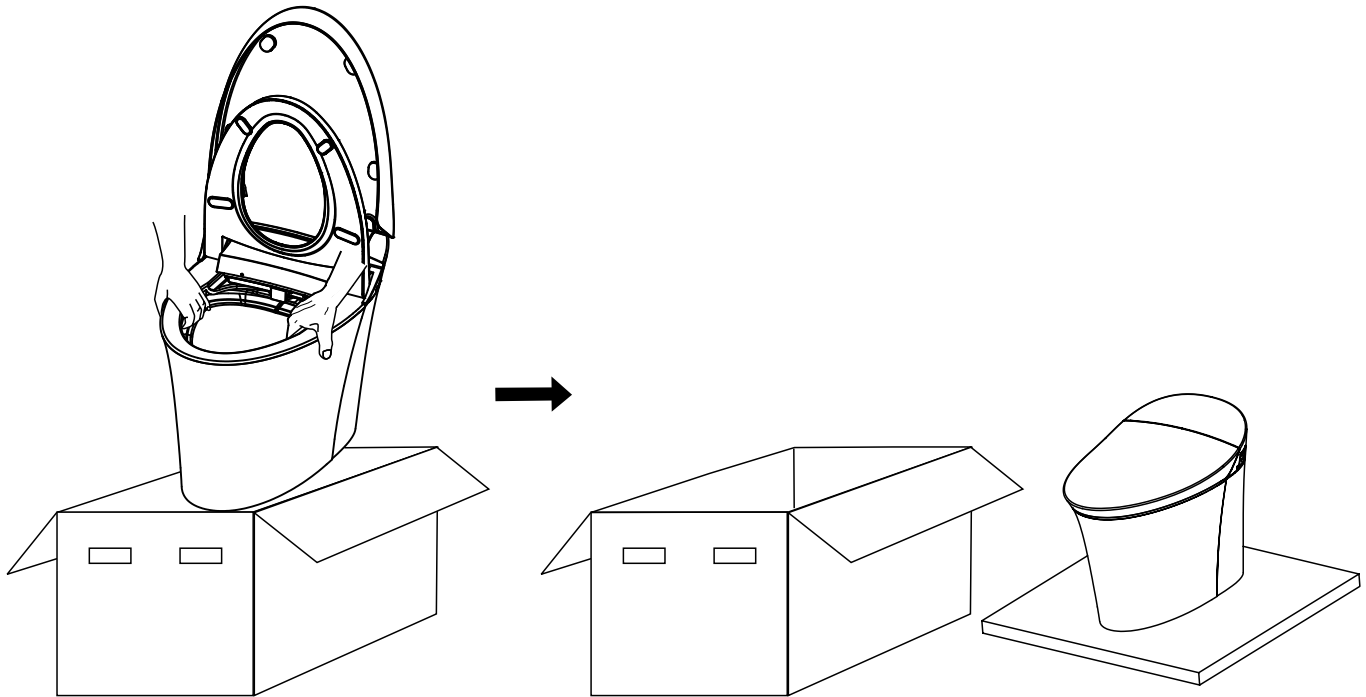


Fig.#6

INSTALLATION

A. Remove Existing Toilet (If There Is One)

Turn off the water supply. Flush the toilet, and use a sponge to remove the remaining water from the tank and bowl. Disconnect the supply shut-off valve (if present), and remove the old tank and bowl.

Remove old gasket from the floor and closet flange with a putty knife. Remove old T-bolts and discard them.

NOTICE: if a new toilet is not installed immediately, temporarily stuff a rag in the closet floor flange.

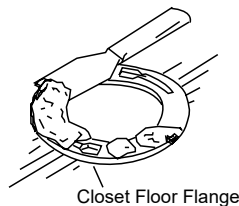


Fig.#7

B. Roughing-In



DANGER: Risk of electric shock. Disconnect power before servicing.

NOTE: This product is designed to work with wall mounted electrical and water supplies as shown in the mounting dimensions.



WARNING: Risk of electric shock. Connect only to circuits protected by Ground-Fault Circuit-Interrupters (GFCI's) or Earth-Leakage Circuit-Breakers (ELCB's).



Keep bath and shower away from electrical parts (such as remote controller, receptacle, etc.).

When the electrical supply is mounted on the wall, a GFCI or ELCB protected and water proof receptacle is required.

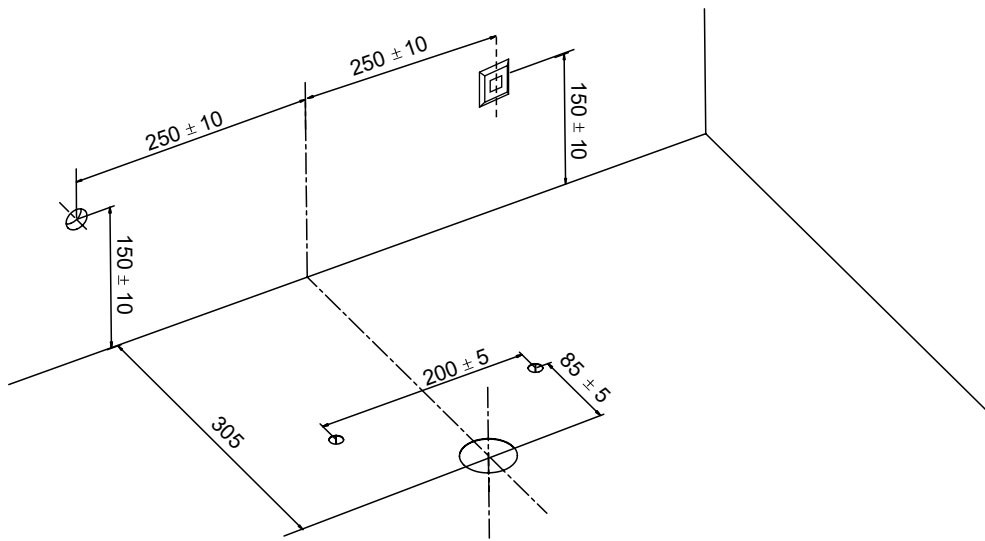


Fig.#8

- C. 1. Confirm the drain hole center and mark down the “+” centerline perpendicular to the finished wall.
2. Confirm the toilet drain hole center and mark down the centerline on Front , back , left and right outside of toilet.
3. Make sure the toilet side mark symbol is align to the drain hole centerline on the finished floor. Mark down the left and right holes.

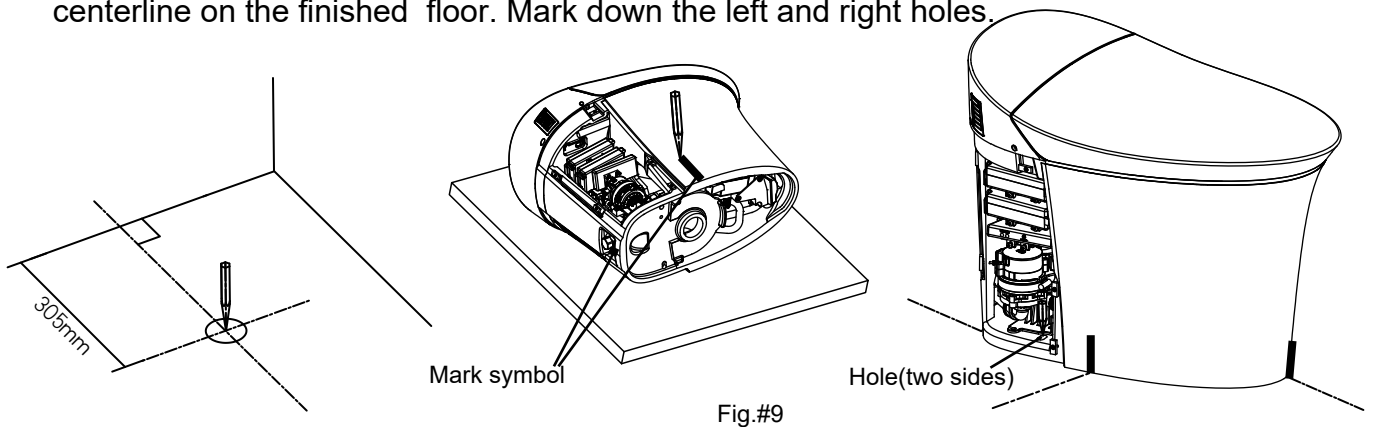


Fig.#9

- D. Drill two holes and insert plastic inserts and T-bolts (Purchased by customer)

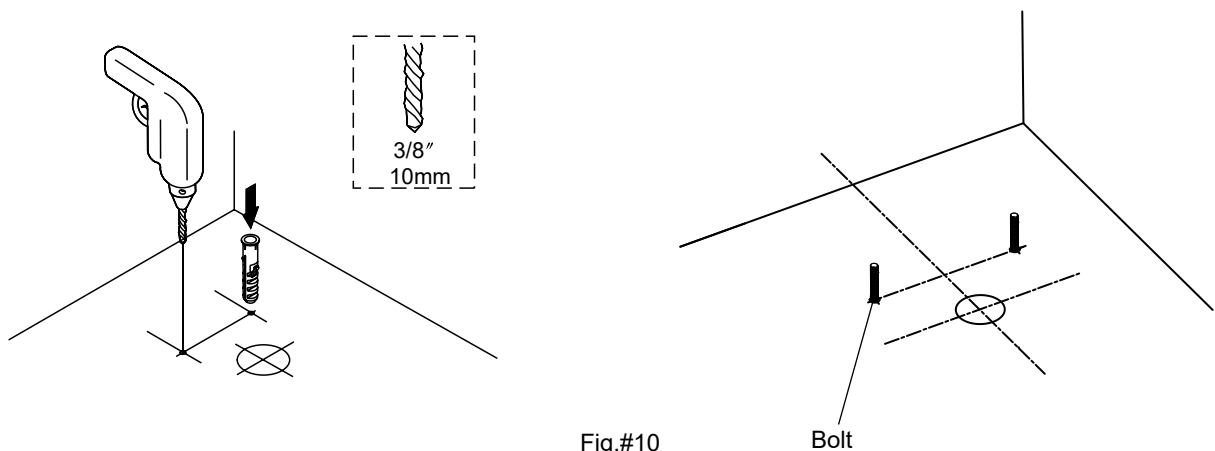




Fig.#10

E. Install the Electrical Service and Water Supply.

-  **DANGER:** Risk of electric shock. Disconnect power before servicing.
-  **DANGER:** Risk of electrical shock. For plug-in installations/wall-mounted electrical supply: connect only to a properly-grounded, grounding-type receptacle protected by a Ground-Fault Circuit-Interrupter (GFCI). Do not remove the grounding pin or use a grounding adapter.
-  **DANGER:** Risk of electrical shock. For hardwire installations/through-floor electrical supply: Connect only to a properly-grounded, dedicated 220V~, 10A, 50Hz circuit protected by a Class A Ground-Fault Circuit-Interrupter (GFCI) or Earth-Leakage Circuit-Breaker (ELCB).

NOTE: This product is designed for installation with the electrical supply attached to the wall. Both types are illustrated. Refer to the dimensional information for your chosen installation.
Follow the dimensional information exactly when installing the hardwire electrical supply.

F. Install the Floor Flange

Coated Silica gel on the opposite side of floor flange
Position the floor flange align the drain hole, and press it onto the finished floor .

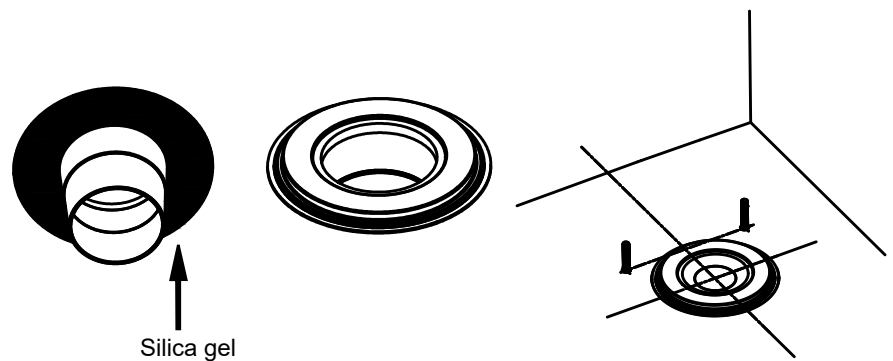


Fig.#11

G. Remove side plates

Unscrew the nut cap on the tee joint.

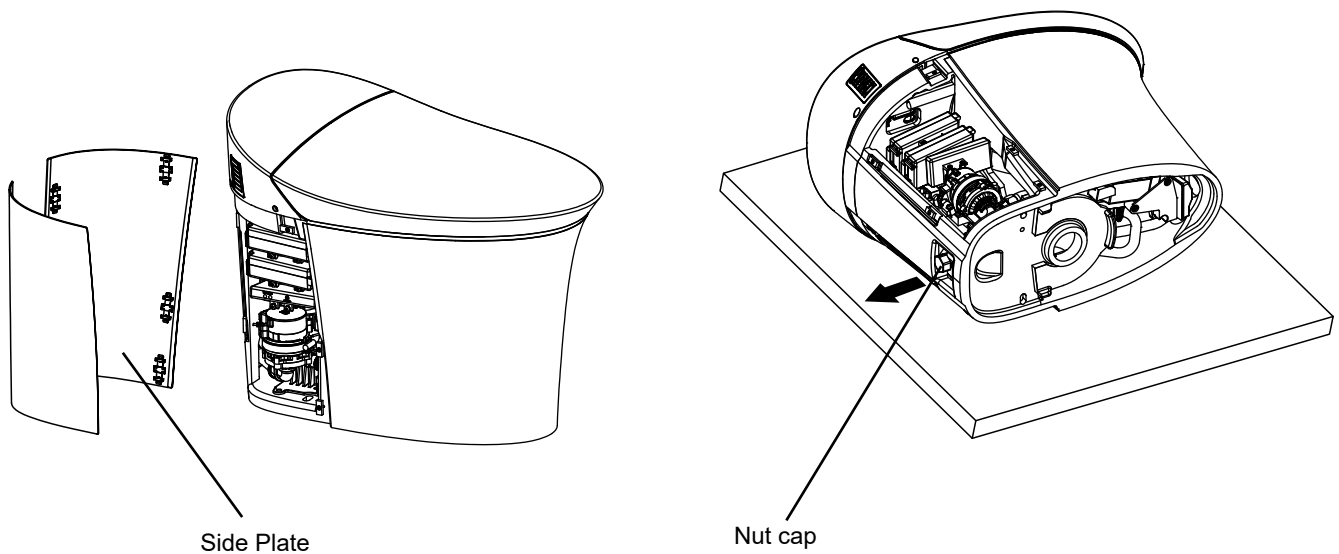
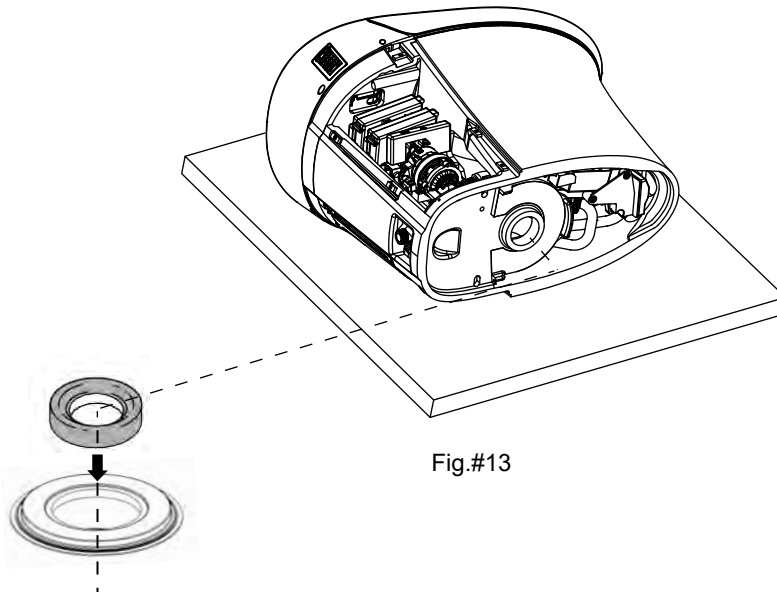



Fig.#12


H. Fix Wax Ring

Place the wax ring on the waste outlet.



I. Install the Vitreous Shell

 **WARNING:** Risk of personal injury. The vitreous shell is heavy. Use proper lifting equipment when handling the vitreous shell.


 **CAUTION:** Risk of product damage. Do not set the shell down hard. Gently lift and move the shell if it is not placed correctly. If handled harshly, the shell may chip or break.


Carefully pick up the vitreous shell.

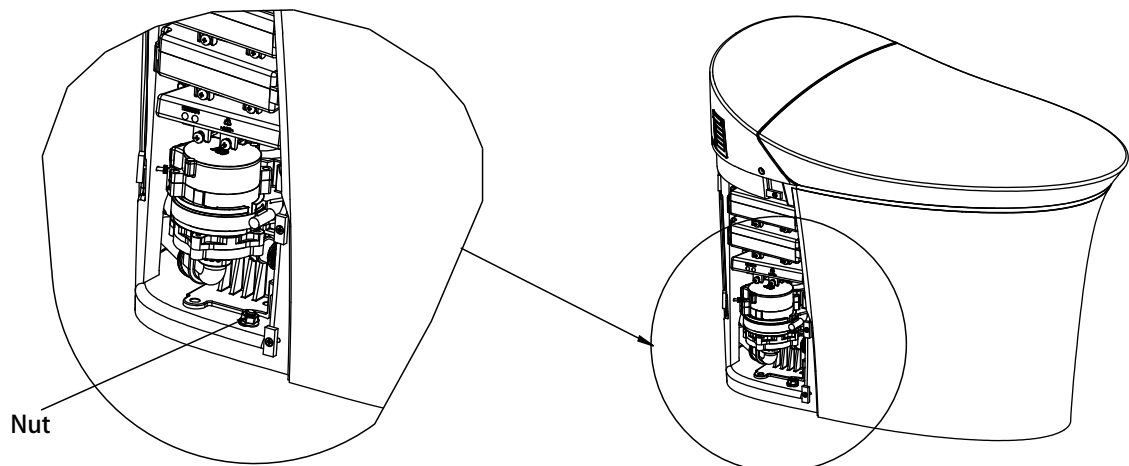
Make sure the trap way sits fully in the outlet gasket. If the vitreous shell does not sit evenly on the floor, then the trap way will not be properly aligned.

Make all adjustments gently reference the toilet side mark symbol and the drain hole centerline on the finished floor until the trapway is properly seated.

Use nut and washer to fasten the bolts and fix up the toilet.

 **CAUTION:** Risk of product damage. Do not move the toilet after the trap way is properly seated to avoid the wax seal invalidated, Change the wax ring if it is needed to move.

 **WARNING:** Risk of personal injury or product damage. Overtightening may cause breakage or chipping.



J. Install Tee Valve.

IMPORTANT!

1. Dimensions in the pictures are for reference only.
2. Please install deco cover on tee valve before installation.

Unit: mm

NOTE: Do not reuse the old tee valve.

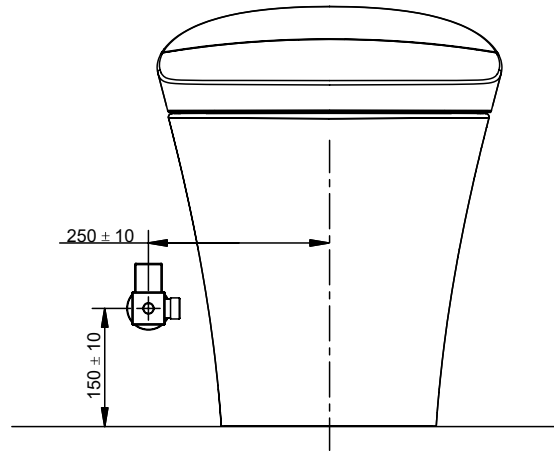
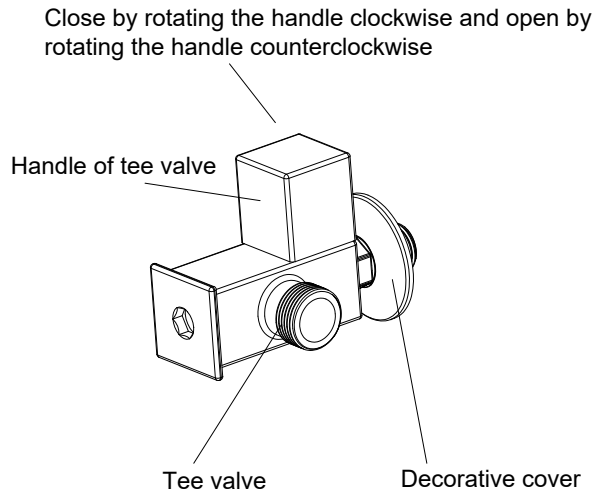


Fig.#15

K. Connect the Water

IMPORTANT! The supplied hose must be used for this installation.

1. Connect the water outlet.
2. Open the shut-off valve.

NOTE: Please use the water supply hose accompanying with new machine. The old hose assembly shall not be used again.

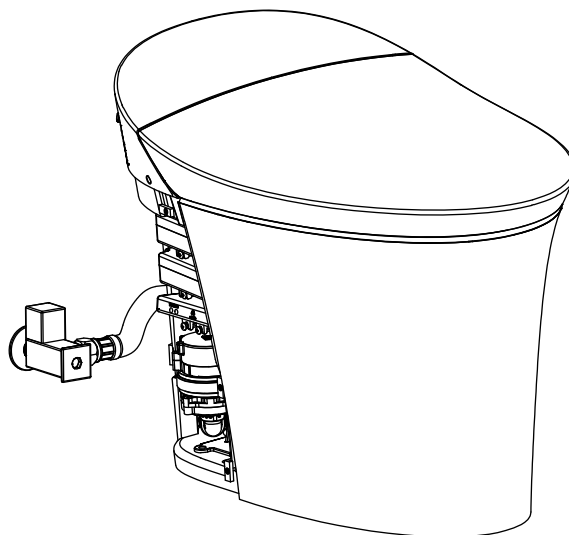


Fig.#16

L. Testing Emergency Flush Button

Press and hold flush button on toilet side panel to activate emergency function when power is off.

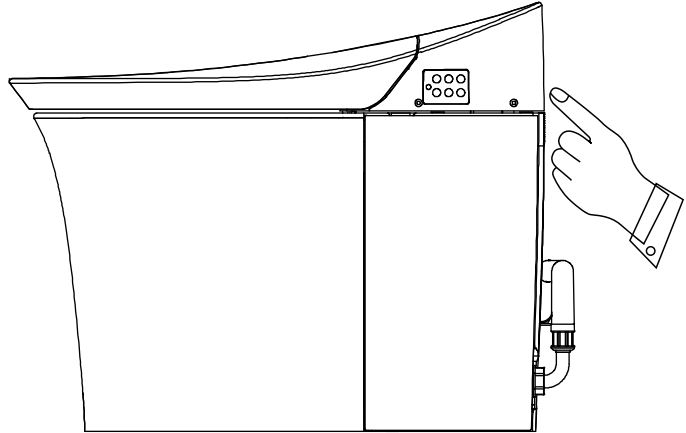
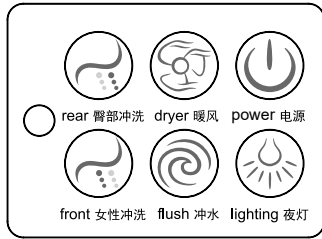


Fig.#17

M. Install left/right side plate after applying silicon gel; plug in and connect power supply.

NOTE:

Apply one circle of silicone gel around toilet bottom to seal the gaps. Wipe the excessive silicone gel on the bottom of left/right plate.

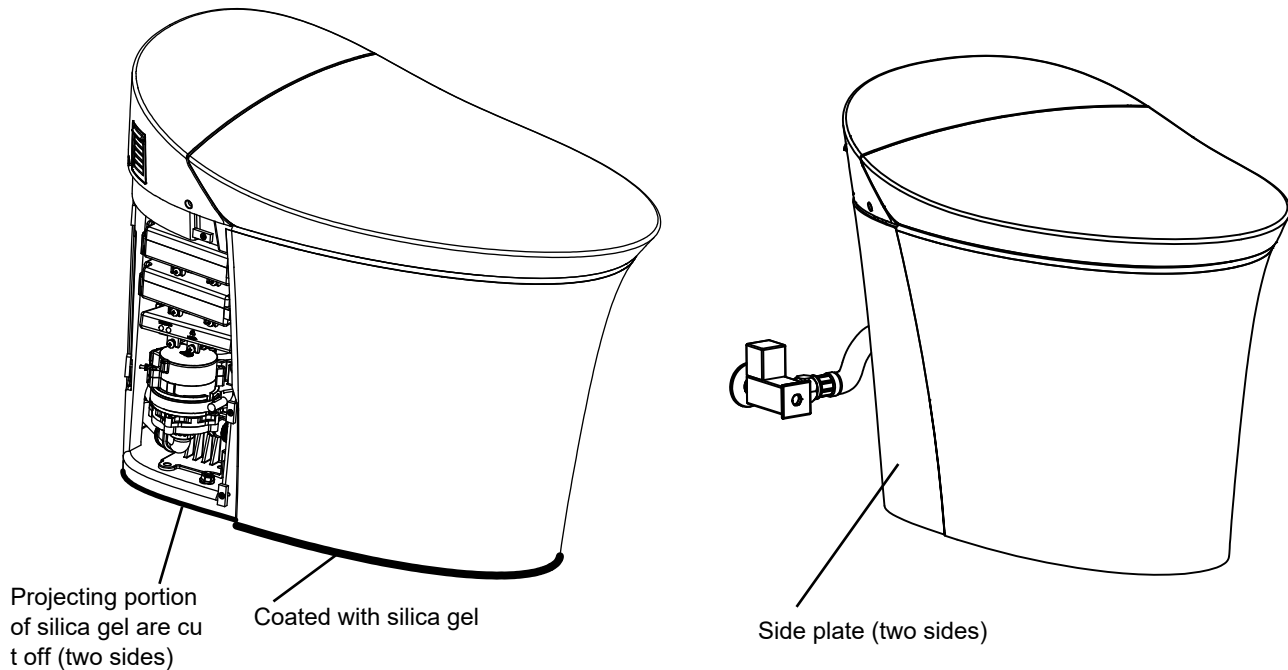


Fig.#18

INSTALLATION OF REMOTE CONTROLLER HOLDER

NOTE: If the installation wall is made of special material (such as wood board, density board and etc.), suitable fixing methods shall be adopted.

NOTE: The place to install the remote control where it will not easily be splashed by water.

Choose a mounting location for the remote holder that is easily accessible while sitting on the seat.

Drill two holes with depth larger than 45mm on the wall by drill with a diameter of 6mm in accordance with the position of screw holes on the remote control holder. Install the expansion tube into the holes.

Place the installation holder on the fixing hole.

Peel off the release paper of the double-sided tape at the back of holder.

Fix the holder with screws and install it.

Install the screw so it is covered.

Place the remote controller on the holder.



Fig.#19

Installation Steps:

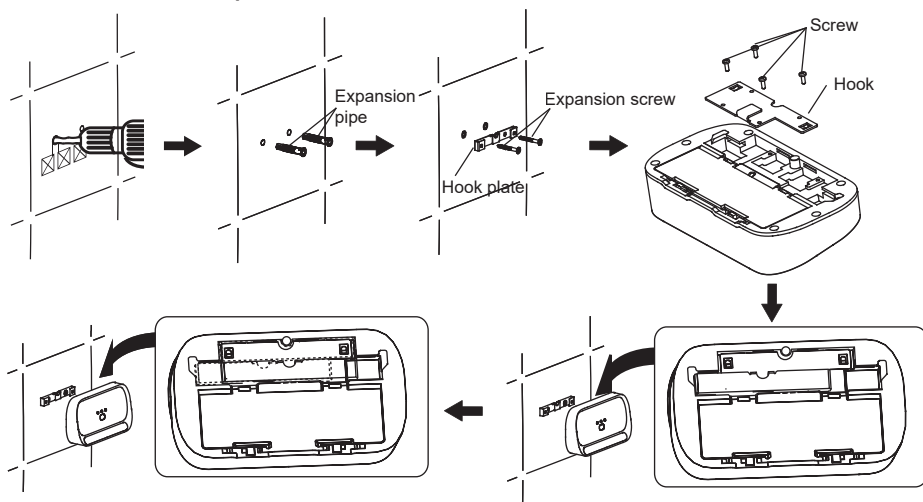
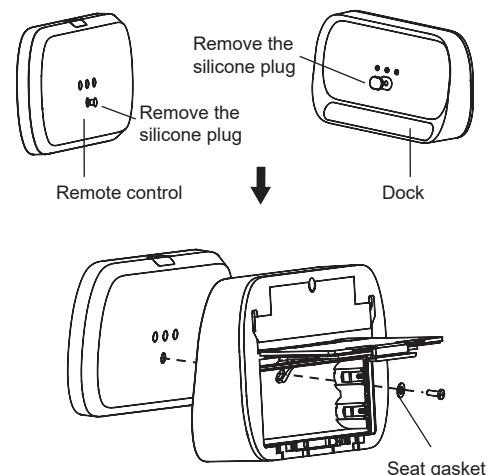


Fig.#20

Public Anti-loss Installation



PREPARATIONS FORE THE FIRST USE

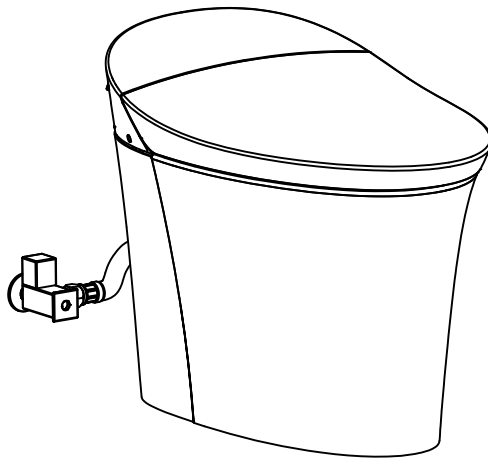


Fig.#21

Ensure if water inlet valve is OPEN.

Confirm that the battery has been correctly installed in the "remote controller".

Confirm that there is no obstacle in front of the product.

Wait for the host to finish the self-checking. During that time, it is normal to hear rotating sound of the motor and bicker. Self-checking completed when the light flashes.

When it is used for the first time, product will be in default state:

Front Wash:

- Water Temperature: mid
- Water flow intensity: mid
- Position: dial 3

Rear Wash:

- Water Temperature: mid
- Water flow intensity: mid
- Position: dial 3

Spiral Wash:

- Water Temperature: mid
- Water flow intensity: mid
- Position: dial 3

Seat Temperature: mid

Night Light: On

Energy Saving Mode: 6H

Auto Lid Turning Function: On; distance, mid

Auto Flush Function: Automatic flushing without closing the cover

Sanitize Function: On

Electrolyzed water Function: On

Deodorizer: On

Water Pump: On (Press and hold flush and front wash button on toilet side panel, short "beep" indicates water pump is on, long "beep" indicates water pump is off.)

Trouble shooting

This guide of trouble shooting is for general help only. Authorised representatives or qualified electricians of Kohler Company shall be able to solve all electrical failures. If you want to know about the service of warranty, please contact local dealers or wholesalers.

Troubles	Possible reasons	Suggestions and measures
1. Toilet does not work	<ul style="list-style-type: none"> A. Power failure B. Plug not connected or no power to socket C. The leakage circuit breaker at cable plug can not reset D. Product is at standby mode 	<ul style="list-style-type: none"> A. Wait until the power is restored B. Insert the plug or detect the power socket C. Press Reset button on the plug D. Press Power button at the side. Wake up the product
2. Toilet can not flush	<ul style="list-style-type: none"> A. Water failure B. Tee valve for water supply is closed C. Power failure D. Product is at standby mode E. Wash mode is in progress F. Auto-flushing is deactivated 	<ul style="list-style-type: none"> A. Wait until the water supply is restored B. Open the tee valve for water supply C. Wait until the power is restored or hold and press auxiliary flush button on toilet side panel, or flush by using the basin. D. Press Power button on the side to wake up the product E. Do it after the operation at wash mode is completed F. Refer to "Guide on setting of remote controller"
3. Emergency flush is not working	<ul style="list-style-type: none"> A. Spare battery pack is low 	<ul style="list-style-type: none"> A. Contact Kohler service department to replace battery pack
4. Toilet is not clean after flushing	<ul style="list-style-type: none"> A. Filter screen is blocked B. Water pressure is insufficient C. Water pump is not working 	<ul style="list-style-type: none"> A. Refer to "Washing of filter screen" B. Check if all tee valves are opened. If not, please open; Check if the inlet hoses are bent. If so, adjust the hoses. C. Reload power. Contact Kohler service department if such problem occurred again
5. Wash mode is abnormal	<ul style="list-style-type: none"> A. Water failure B. Tee valve for water supply is closed or not opened completely C. Product is at standby mode D. Not yet seated or current sitting posture unable to be sensed by the seat E. Filter screen is blocked F. Water pressure is insufficient G. The toilet is in the process of flushing 	<ul style="list-style-type: none"> A. Wait until the water supply is restored B. Fully open the tee valve for water supply C. Press Power button at the side to wake up the product D. Sit on or adjust your sitting posture E. Refer to the section of "Washing the filter screen" F. Check if the inlet hoses are bent. If so, adjust the hoses. G. Flush again after this flushing is completed.
6. Flushing mode stops in the operation process	<ul style="list-style-type: none"> A. Flushing mode stops automatically after continuous flushing for 5 minutes B. The seat is unable to sense human body 	<ul style="list-style-type: none"> A. If necessary, press the flushing button again. B. Adjust your sitting posture or sit on the toilet again.
7. The wash mode runs even when no one is sitting on the toilet.	<ul style="list-style-type: none"> A. The seat is covered by foreign matters or the seat is wet 	<ul style="list-style-type: none"> A. Remove the foreign matters or dry the seat
8. Dryer fan stops in the operation process	<ul style="list-style-type: none"> A. The dryer fan stops automatically after continuous usage for 4 minutes B. The seat is unable to sense human body 	<ul style="list-style-type: none"> A. If necessary, press the Dryer button again B. Adjust your sitting posture or sit on the toilet again.

9. Deodorization fan not work	A. The seat is unable to sense human body B. Stop button is pressed by mistake during operation C. Auto deodorization function is deactivated	A. Adjust your sitting posture or sit on the toilet again. B. If necessary, please leave for about 2S and then sit on the toilet again. C. Refer to "Guide on setting of remote controller"
10. Cover fails to close/open	A. The seat is covered by foreign matters or the seat is wet B. The toilet cover is interfered by people at the open/close process before	A. Remove the foreign matters or dry the seat B. Use the remote control to open/close the toilet cover or do it manually until it works normally. The cover switch should not be stopped during the open/close process
11. Cover unable to open/close automatically	A. Users are not seated yet or left the sensing area B. The function of "automatic cover-turning" of remote controller is deactivated C. The toilet is in the process of flushing	A. Please sit or leave the sensing area B. Refer to "Guide on setting of remote controller" C. Wait until the flushing process is completed
12. Night light does not work	A. The night function is turned off B. The indoor light is too bright	A. Check the section of night light at "auxiliary keyboard function" to activate the night function B. Please turn off the indoor light and close the curtain
13. Sanitize function is not working.	A. User does not enter or leave sensing zone. B. The seat is covered by foreign matters or the seat is wet	A. Close cover and reactivate Sanitize function and close cover after unseated. B. Remove the foreign matters or dry the seat
14. Remote failures	A. Out of battery B. Battery polarities are mounted reversely C. The remote controller is not woken up	A. Replace with new batteries B. Reinstall properly C. Touch the screen of the remote control Sit near the toilet or on it Press Wake up key on the remote control
15. Remote control fails to control the toilet	A. Lower battery B. The remote control is too far from the toilet C. The toilet is not yet powered on D. The toilet itself is on standby mode E. The toilet is not connected to the remote control	A. Replace battery by referring to the section of "Usage and replacement of battery for remote control" B. Check the section of "Communication between remote controller and this machine", and get close to the toilet C. Power on the toilet D. Press Power button at the side to wake up the product E. Check the section of "Communication bet remote control and this machine", and connect the toilet and the remote control

If this toilet is to be repaired and maintained, you have to:

Disconnect the power plug of toilet

If necessary, turn on the water valve.

CONSUMER RESPONSIBILITIES


If you live in a hard water area, make certain that the holes in the toilet rim are kept clean to ensure proper bowl flushing. Toilet bowl cleaners should be used at least once a week. Use a long-handled brush to clean the rim holes, and to clean as far into the trap as possible to prevent mineral deposits from forming.

Most toilet bowl cleaners are not harmful to the vitreous china or the surface of the toilet bowl. Please follow the bowl cleaner manufacturer's instructions carefully.

Do not use abrasive cleaners or solvents.

 **WARNING:** Risk of property or product damage.

Kohler Company shall not be responsible or liable for any damage to these fittings caused by the use of cleaners containing chlorine (calcium hypochlorite).

 **WARNING:** Do not use any hard setting material (cement mortar) while installing the toilet.

Thermal expansion of hard setting material (cement mortar) will damage or crack the feet of toilet. Kohler will not be responsible for any damage because of using hard setting material (cement mortar) for toilet installation.

 **WARNING:** Risk of product damage.

Do not throw newspaper, diaper and sanitary pad etc. into the toilet; it might cause the toilet to block. Do not bump the vitreous china with great force as it will cause damage and leaking.

Do not use the product in the water below 0°C.

NOTE: Refer to "Homeowner's Guide" for the cleaning and maintenance of bidet seat.

NOTE: Flush the water supply pipes thoroughly to remove debris. Product is designed for tap water or potable water.

安装之前

- 请仔细阅读本指引。以便熟悉所需工具、材料及安装程序。请遵照适用的章节来安装您的坐便器，以避免由于安装失当而导致不必要的损失。除了有关正确的安装方法之外，还务请详阅所有操作及安全指引。
- 本指引所载之一切资料，均以印刷时所有之最新产品情况为基础，科勒保留权利随时更改产品特性、包装或供应情况，恕不另行通知。
- 本指引也包含了有关护理、清洁及保养等重要资料 - 请交予用户保存。
- 我们感谢您对科勒质量的信任。在您开始安装之前，请您花上几分钟时间来阅读这本手册。如果您在安装或性能方面遇到任何问题，务必请您与我们联系。再次感谢您选择科勒公司。
- 安装前，请确保坐便器安装所需要的空间，并不会影响到门的开关。
- 在安装本产品的同一房间中，需要在触手可及的位置安装一个止水阀，用于紧急情况下，无需借助工具即可切断本产品的进水水路；否则本产品的意外故障可能会导致用户损失。
- 确认排水坑距 305mm，坑距需满足 292–350mm。如未满足，可能会影响安装。
- 确认出水接头距离完工墙面凸出不超过 3mm。沉入完工墙壁不超过 5mm。如未满足，可能会影响安装。
- 推荐使用内径 DN15mm 以上的主水管，以确保下述供水条件要求。
- 请不要使用科勒不推荐的附件，如角阀等。
- 为了达到更好的冲洗效果，用户在安装进水管如 PPR 管的热熔连接时，应尽量避免明显的缩径或热熔挤出物堵塞部分管道等现象，并确保连接后进水管内径大于 15mm。
- 请使用产品所配的软管和角阀。
- 若供水管路中装有减压阀，请使用 DN32mm 以上的减压阀。

注意



危险：存在触电危险。操作前应切断电源。



警告：存在触电危险。只可连接至带接地故障断路器（GFCI）或接地漏电断路器（ELCB）保护的电路中。



谨慎：存在有害气体的危险。如果新坐便器不能立即安装，可在地面法兰孔上临时遮盖一块旧布。

注意：遵守所有的本地管道安装和电气规程。

注意：安装在浴室内的插座位置距离浴缸或淋浴喷头至少应为一米。

- 遵守所有的本地管道安装规程和建筑规范。
- 仔细检查新坐便器有无损坏。
- 电源和水管应采用墙式安装方式。



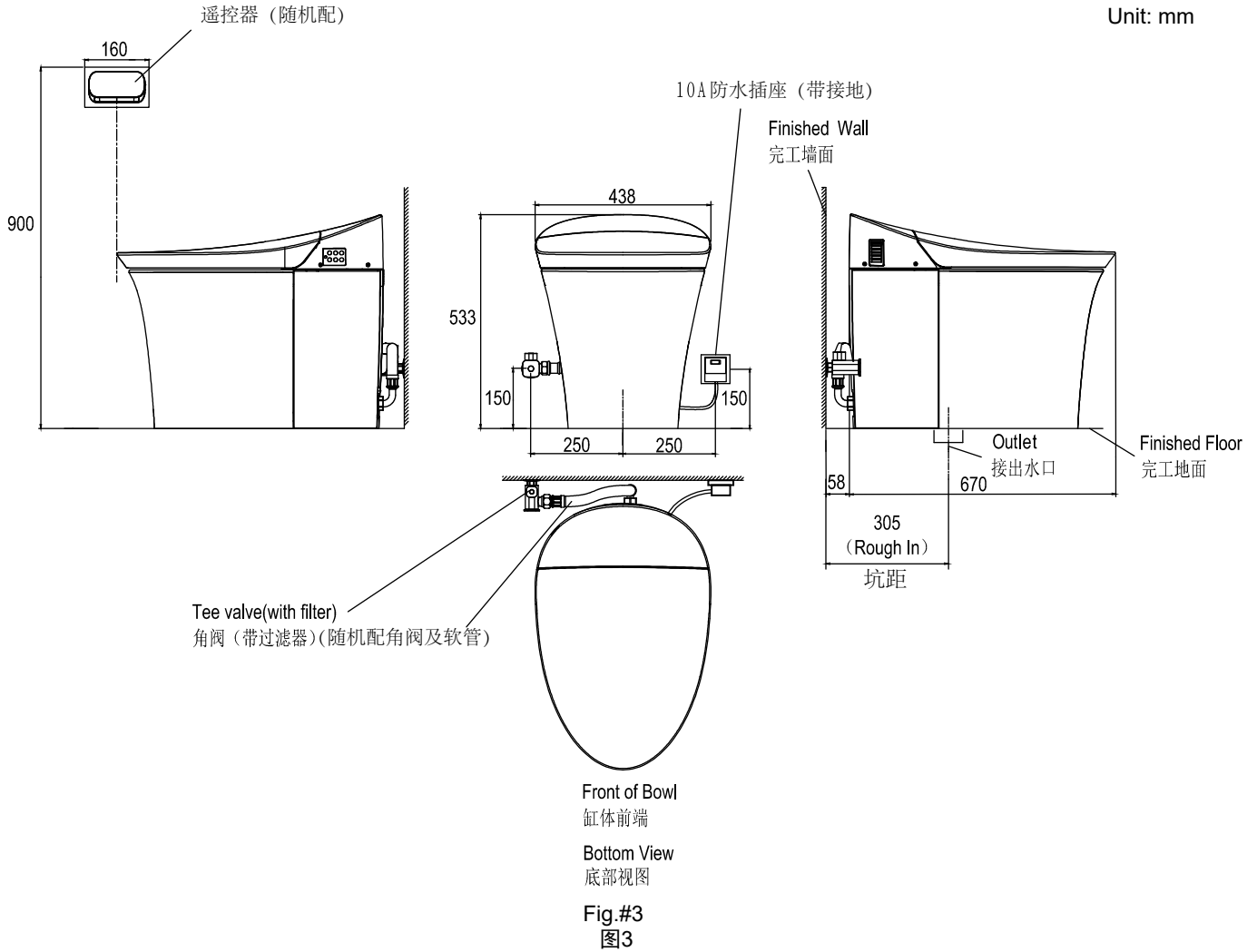
警告：触电、火灾或人身伤害的危险。本产品必须安全接地。只能连接到专用的 220V~，50Hz，10A 带接地故障断路器或接地漏电保护器的电路中。



警告：必须使用 10A 的插座。

尺寸图

Unit: mm



科勒公司保留随时变更图中标示尺寸的权利，无需另行通知。
Kohler reserves the right to change marked dimensions without prior notice.

规格

冲水用水量	4.0L
水效等级*	2级
使用坑距	305mm
供水压力	最小进水压力0.07MPa (动压) 最大进水压力0.74MPa
额定电压	220V~, 50Hz
额定功率 *	1090W
电源线长度	约 1.3m
产品外型尺寸	约 670mm x 438mm x 533mm
产品重量	约 48kg
进水温度	1-35°C
使用环境温度	1-40°C

注意：详细规格见用户手册。

* 智能坐便器施加的水效标识的说明：水效标识表示智能坐便器水效等级等性能的一种符合性标志。
* 功率值测试条件：动压0.2MPa，进水温度15°C。

整体简图

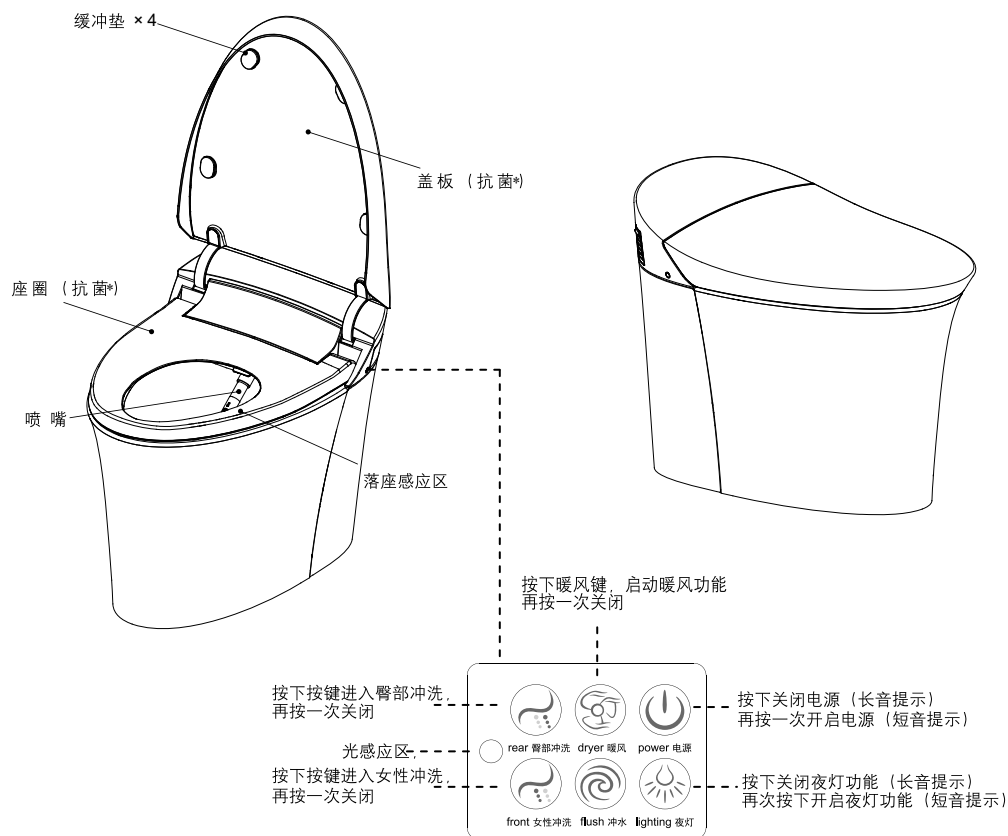


Fig.#4 按下进行马桶冲水 (停电后长按, 启动应急冲水功能)
图4

* 抗菌: 含无机系抗菌材料的座圈、盖板长期抗菌, 抑制产品表面的细菌生长, 这一加工处理不代表防霉等附带效果。抗菌率大于90% (依据GB21551.2-2010进行试验。测试机构: 中国家用电器检测所、上海出入境检验检疫局机电产品检测技术中心)

安装前准备

A. 抓住陶瓷件的边缘, 从包装箱中取出产品。

警告: 人身和产品损害风险! 向上提起坐便器时, 请勿抓住智能盖板的边缘。由于坐便器较重, 必要时请寻求他人帮助。

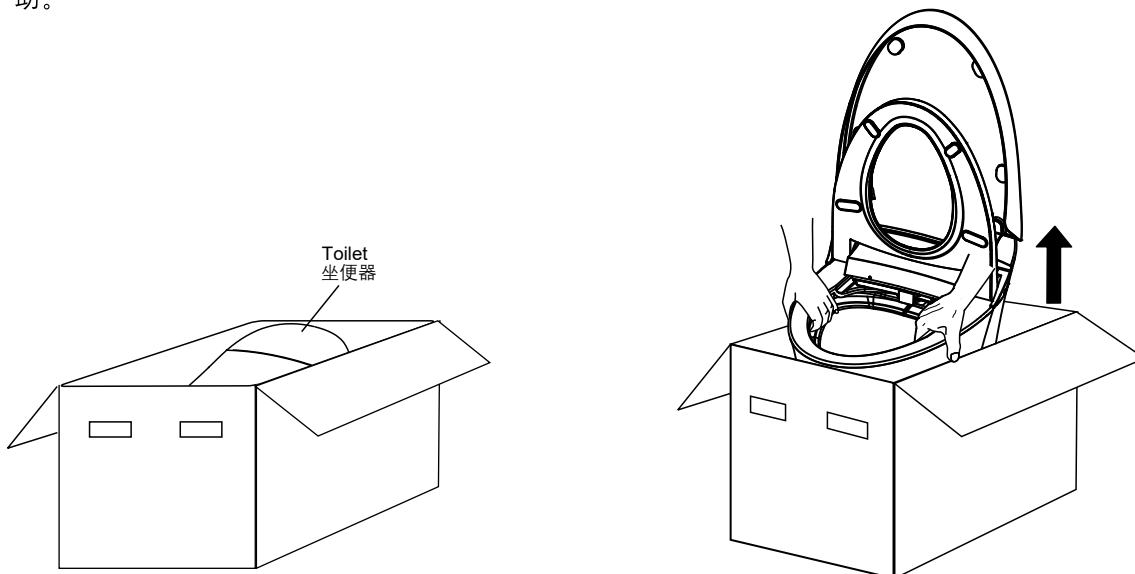


Fig.#5
图5

B. 在地面上放置一块800mmX800mm大小的软垫，将坐便器从包装箱中取出放在软垫上。

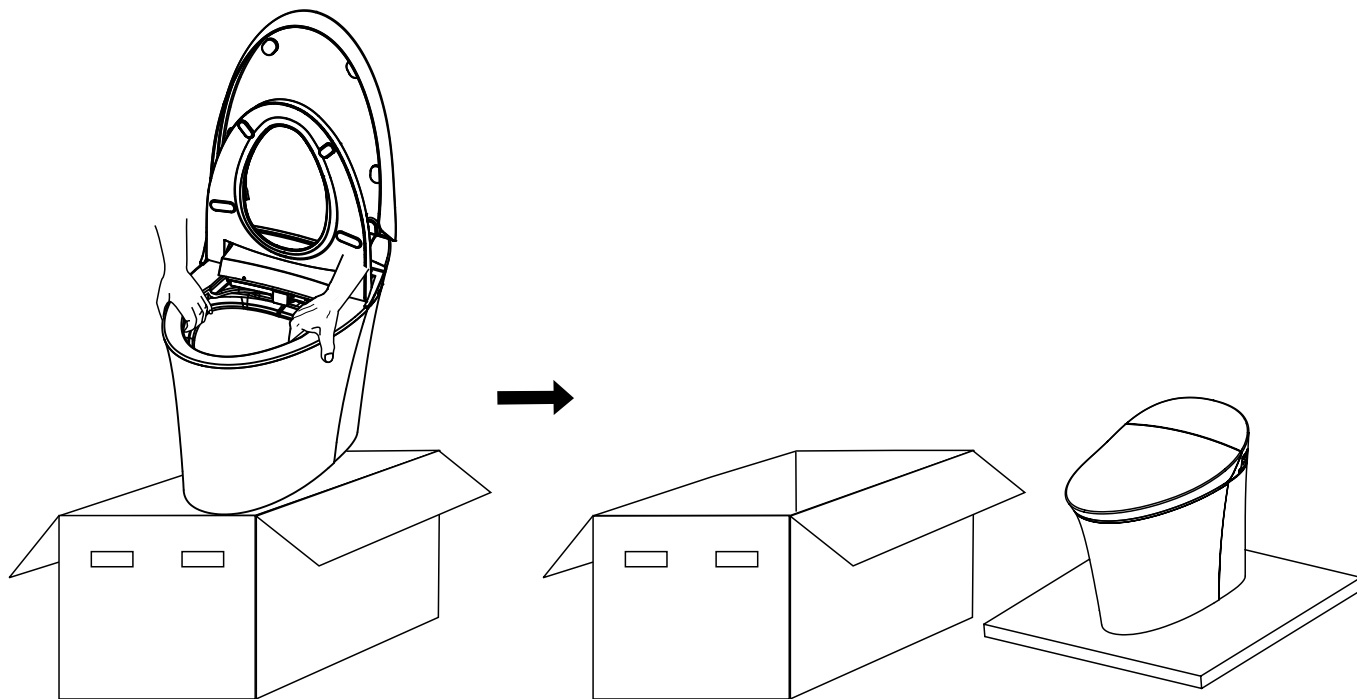


Fig.#6
图6

安装

A. 拆除旧坐便器 (如果有)

关掉供水源，给坐便器冲水，用海绵吸去坐便器内的剩余水份，拆除供水管止水阀(如果有)，移开旧水箱和坐便器。用涂油灰刀拆除地上的旧密封垫圈及坐便器法兰附件包，拆除及扔掉旧的T型螺栓。

注意：如果不能即时安装新坐便器，请用碎布暂将法兰附件包堵住。

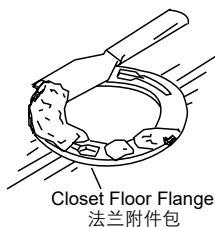



Fig.#7
图7

B. 安装尺寸

 危险：存在触电危险。安装前应切断电源。

注：本产品可安装于墙上式电源和水路管。安装方式在尺寸图中有标示。

 警告：存在触电危险。只可连接至带接地故障断路器(GFCI)或接地漏电断路器(ELCB)保护的电路中。

 浴缸与花洒位置请远离带电部件(如遥控器、电源插座等)。如果是墙上式电源，需要使用防水、防溅的插座。

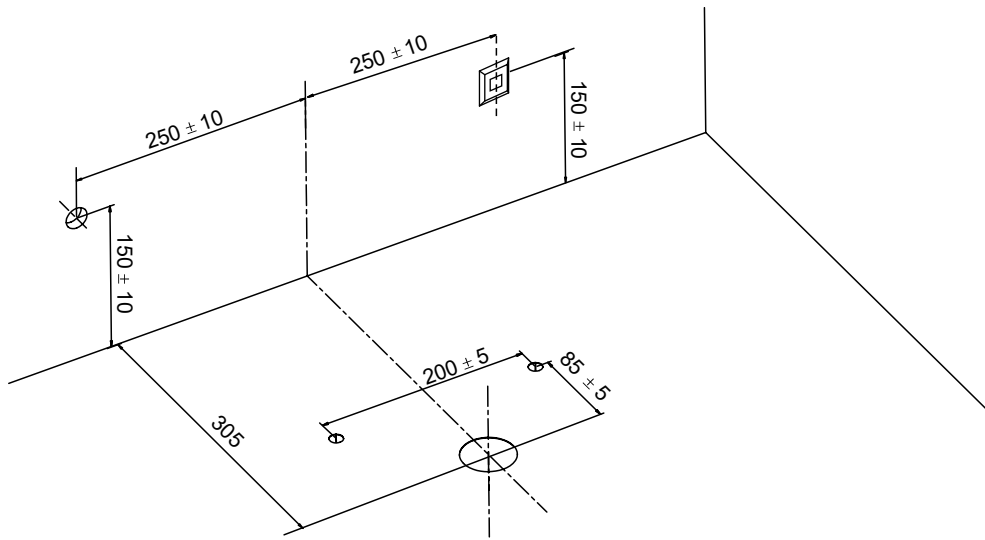
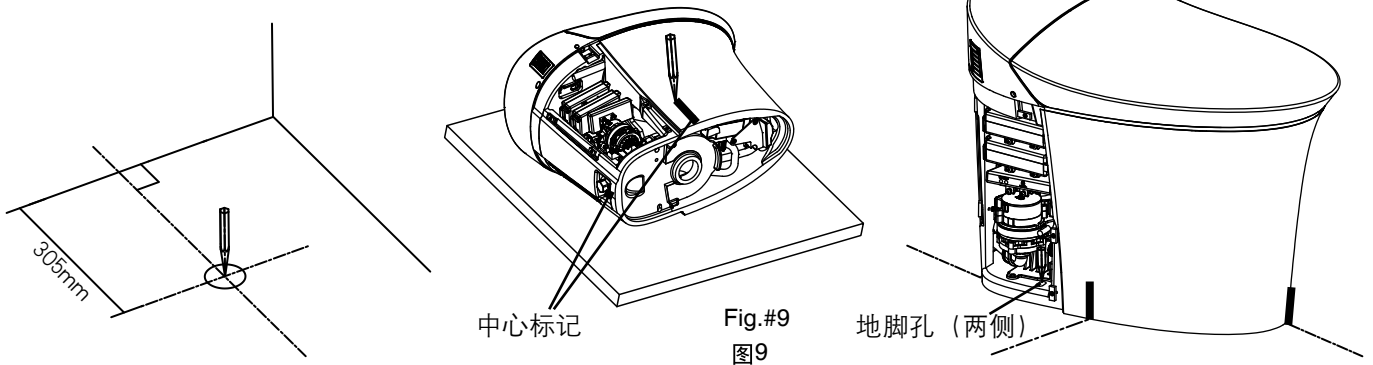


Fig.#8
图8

- C. 1. 确定排污口中心点并垂直墙面划上十字线
2. 侧放坐便器，按陶瓷排污口找出前后左右中心标记，并记于陶瓷外侧壁上
3. 坐便器平稳对准地面上的中心线。记下左右地脚孔的位置



中心标记

Fig.#9
图9

地脚孔 (两侧)

- D. 钻两个地脚孔，安装膨胀塑料及地脚螺钉(由客户自行购买)

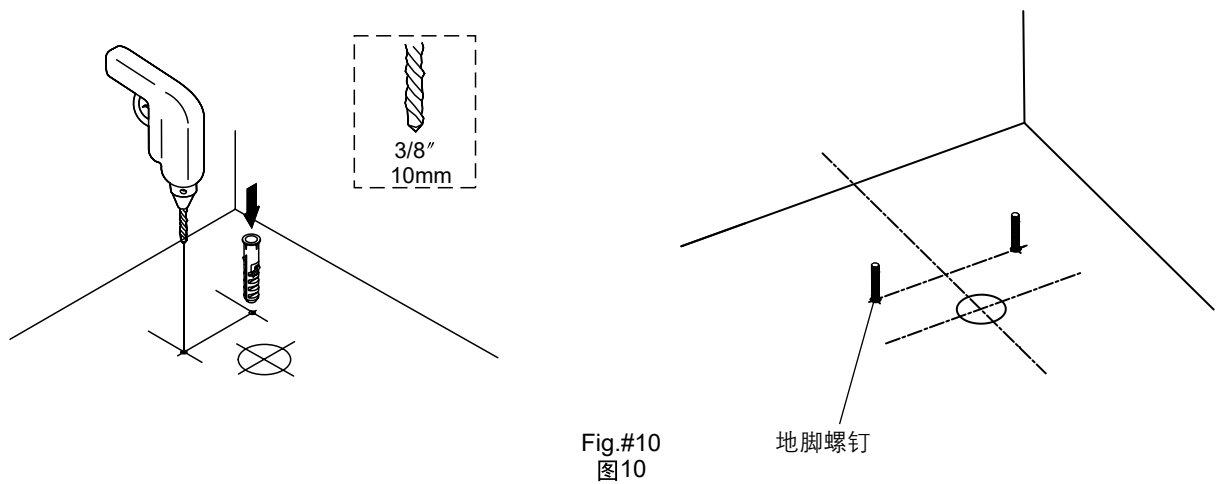





Fig.#10
图10


地脚螺钉


E. 安装电源

 危险：存在触电危险。操作前应切断电源。

 危险：存在触电危险。仅适用于插入式安装/墙面式电源，只可连接至带接地故障断路器(GFCI)保护的电路中。勿取走接地插脚，或选择使用接地适配器。

 警告：产品存在电击的危险。本产品只可连接到良好接地，电路要求为220V~，50Hz，10A 的电路中，此电路必须带接地故障断路器或接地漏电断路器。

 警告：不允许使用延长线。

 警告：不允许使用不带接地线的插座。

注意：本产品设计可安装于墙上式电源。安装方式在尺寸图中有标示。
安装硬电线电源时应严格遵守尺寸图上的信息操作。

F. 安装法兰

将法兰盘反面涂满硅胶
将法兰盘对正下水孔插入
并压贴住地面

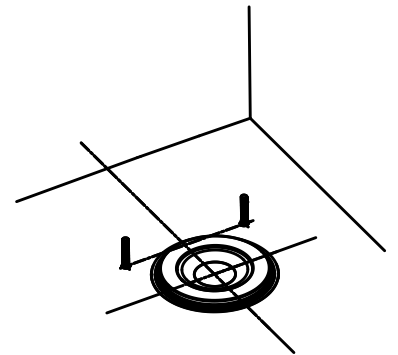
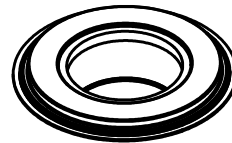
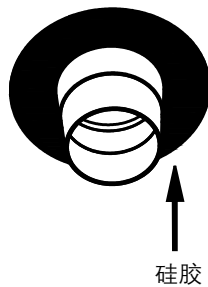


Fig.#11
图11

G. 拆下左右侧板

卸下供水三通上的螺纹帽

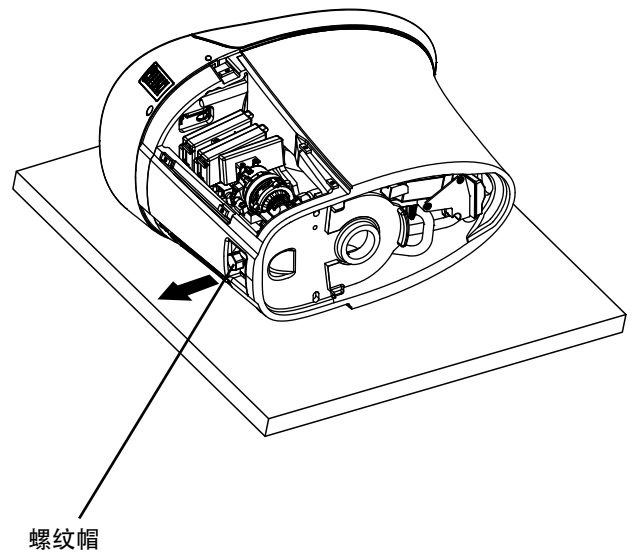
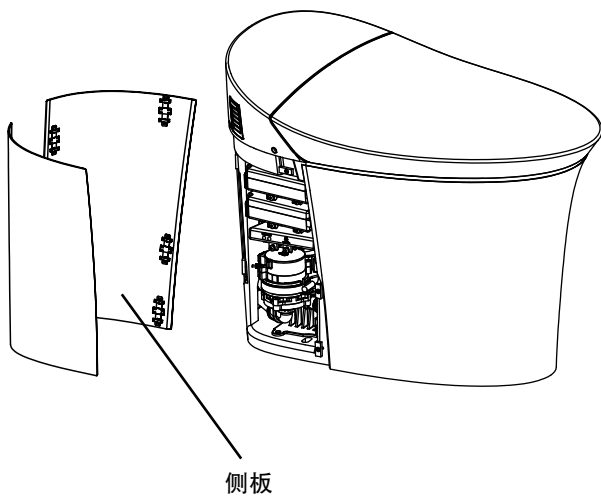
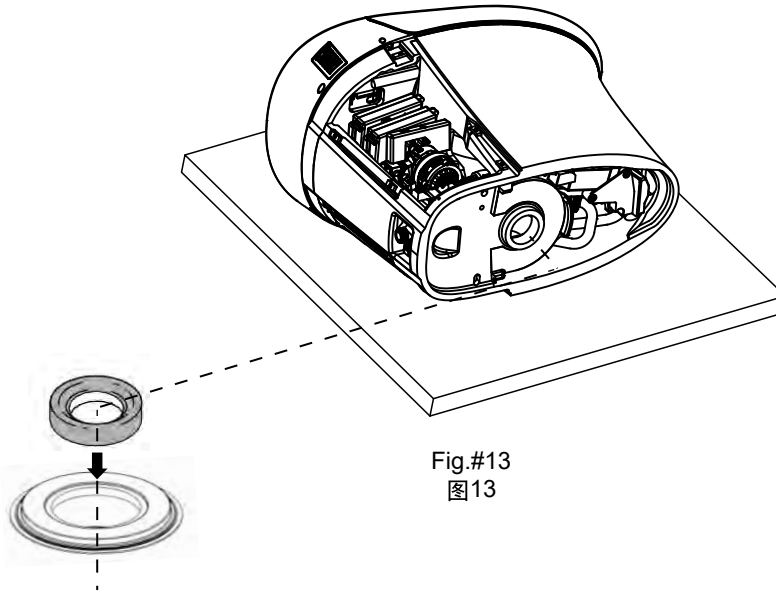


Fig.#12
图12

H. 安装蜡封

将蜡封安装在法兰附件包上。



I. 安装陶瓷外壳

- 警告：**存在人员受伤的危险。陶瓷外壳重达35千克。搬运陶瓷外壳时，应使用适当的提升工具。
- 谨慎：**存在产品损坏的危险。向下放置陶瓷外壳时不要用力过大。如果外壳未能放置到位，应轻轻提起和移动。如果操作粗糙，外壳可能被压碎或开裂。

小心地抬起坐便器。

确保排污通道完全置于排污口内。如果陶瓷外壳不能均匀置于地面上，则排污通道不能正确到位。

参考地面排污口中心线及陶瓷上前后左右中心标记，轻轻地进行各种调节，直至排污通道正确到位。

用螺母及垫片拧紧两颗地脚螺丝固定坐便器。

- 谨慎：**存在产品损坏的危险。安装到位后，不能再搬动坐便器，以免蜡封失效。如需搬动，需更换蜡封。
- 警告：**提防身体受伤或产品破裂。螺母不可上得太紧，否则会导致釉面陶瓷损坏及崩裂。

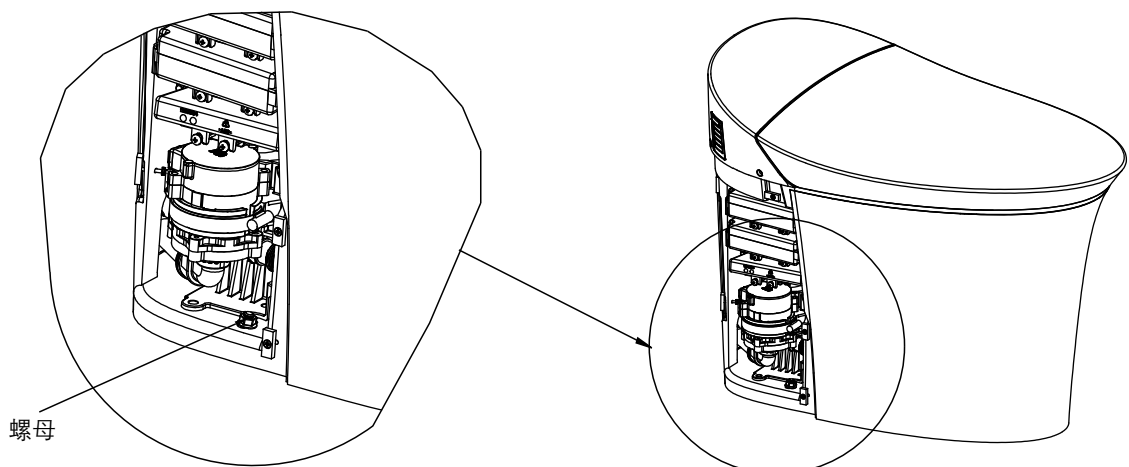


Fig.#14
图14

J. 安装角阀

重要提示如下

1. 图中尺寸为角阀建议安装尺寸
2. 安装前，角阀必须装上装饰盖

注意：请勿重复使用旧角阀。

Unit: mm

把手顺时针关闭，逆时针打开

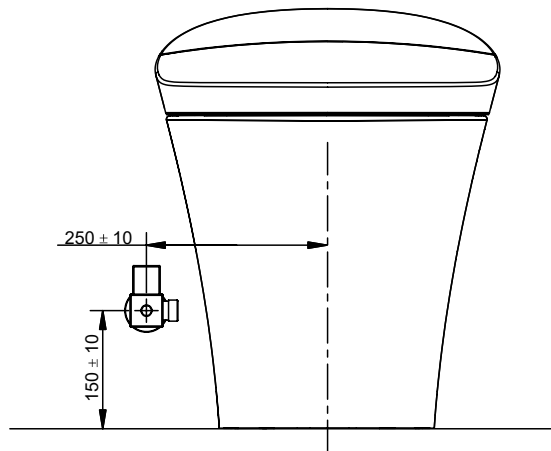
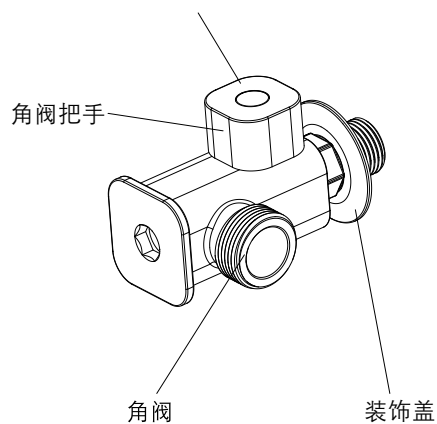


Fig.#15
图15

K. 连接水管

重要提示！安装时必须使用产品所配的软管。

1. 连接水管。
2. 打开角阀。

注意：必须使用随器具附带的新软管组件，旧软管组件不能重复使用。

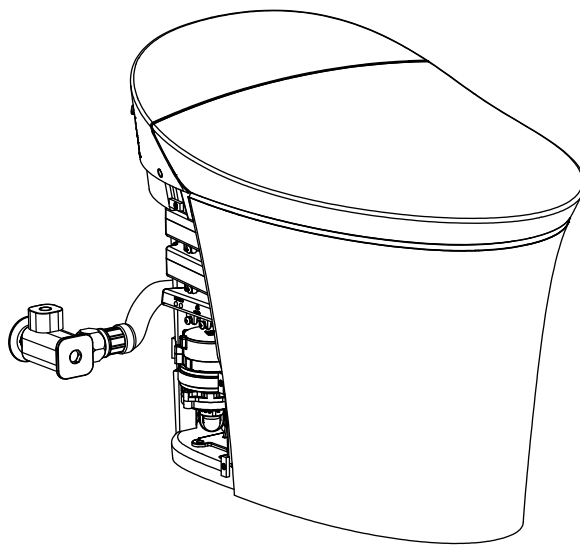


Fig.#16
图16

L. 测试应急冲水按键。断电后，长按本体上辅助键盘冲水按键启动应急冲水功能。

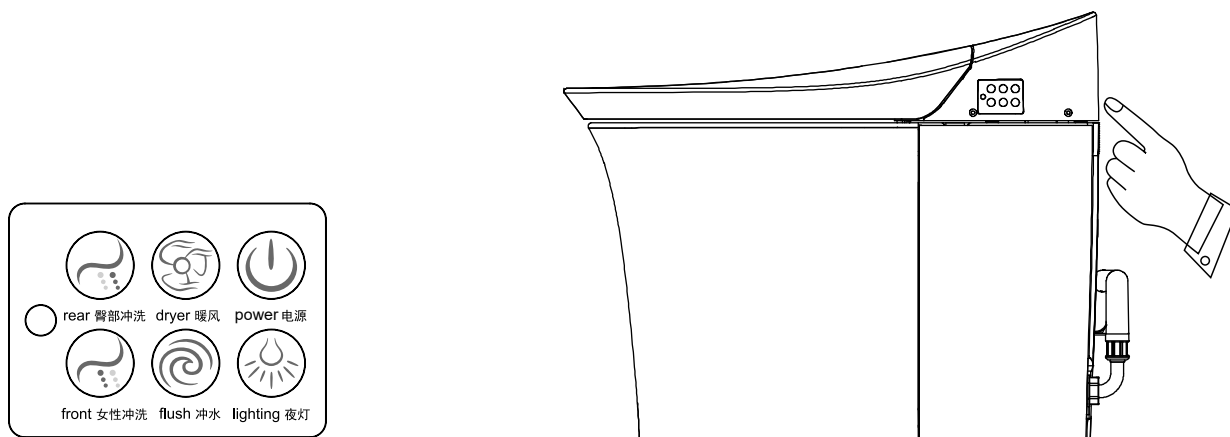


Fig.#17
图17

M. 打硅胶后，安装左右侧板，插上电源插头，接通电源。

注意：

在坐便器底部周围打上一圈硅胶，填堵坐便器底部四周的缝隙。
坐便器安装左右侧板的底部硅胶凸出部分抹掉。

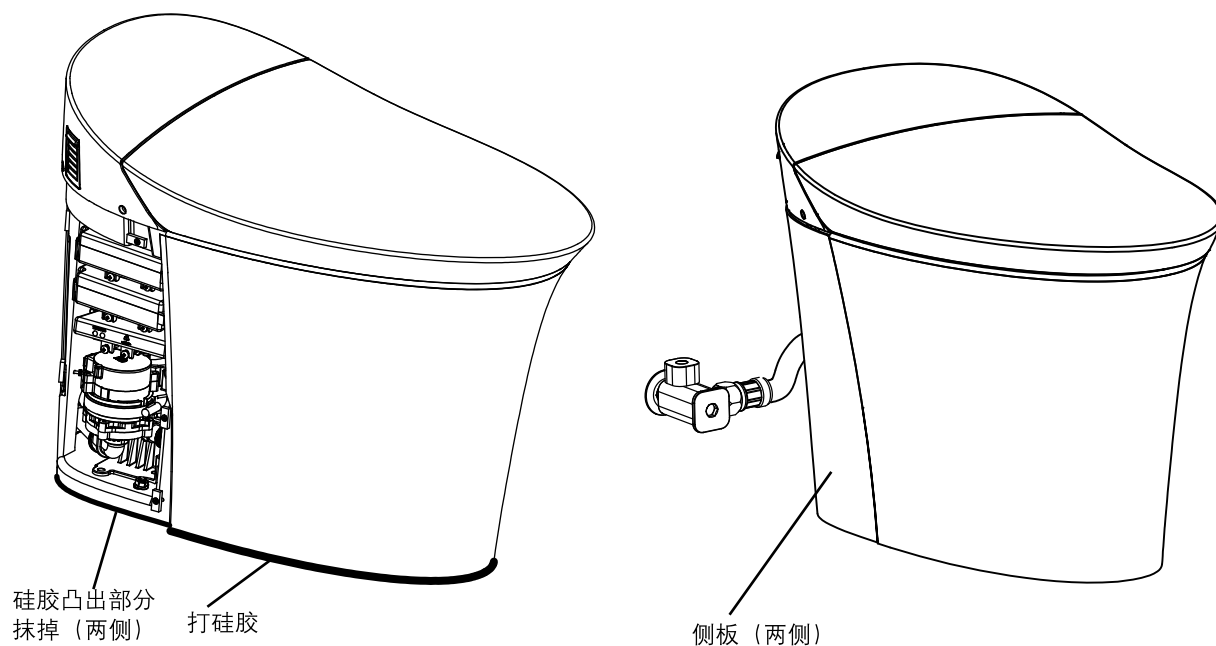


Fig.#18
图18

安装遥控器支架

注意：如果安装墙面是特定材料（比如木板、密制板等）时，使用合适的固定方法。

注意：遥控器的安装位置应该是不易被水淋到的地方。

选择一个合适地方安装遥控器支架，这个地方应该是当你坐在坐便器上时很容易用手容易操作遥控器。

根据遥控器支架螺钉孔的位置，用直径6mm的钻头在墙上钻两个深度大于45mm的孔。在孔中装入膨胀管。

将安装支架在放置固定孔上。

将支架背面双面胶离型纸撕掉。

用螺钉固定安装支架。

把螺钉盖装在螺钉上。

把遥控器放在支架上。



Fig.#19
图19

安装步骤:

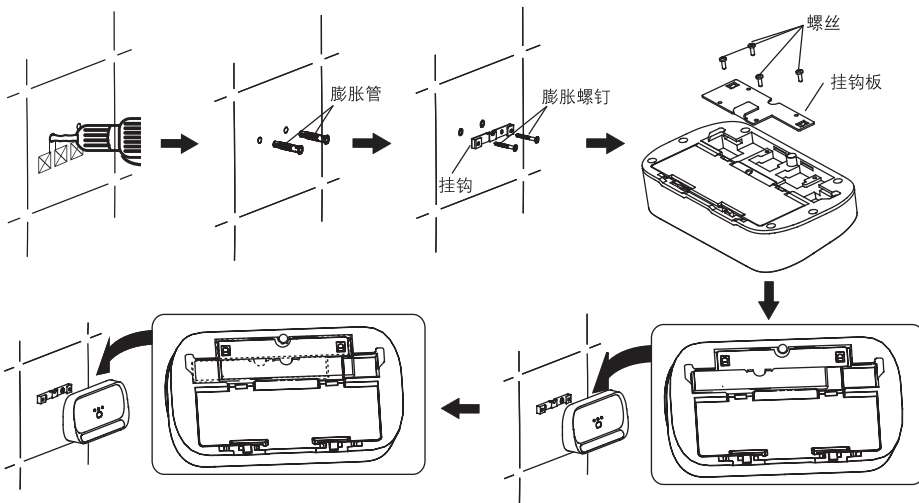
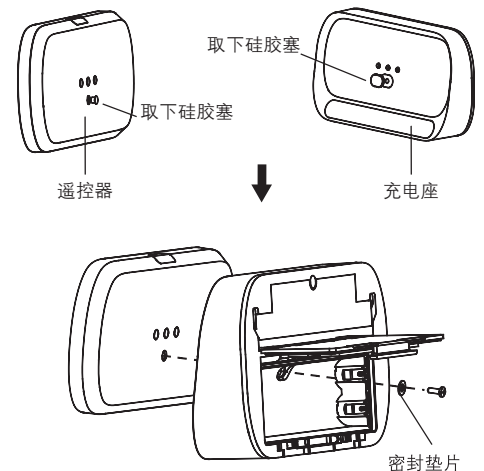


Fig.#20
图20

公共场所防遗失安装方式



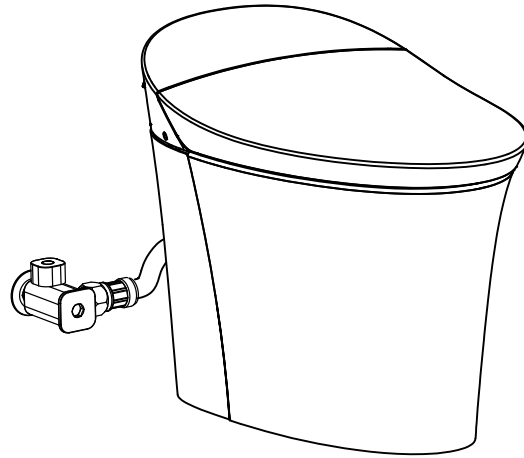


Fig.#21
图21

确认进水阀是否已打开。

确认遥控器充电座内已正确装入电池。

确认产品正前方没有障碍物。

等待主机完成自检。期间可听到电机的转动声和流水声，均属正常。当夜灯闪烁时，自检结束。

初次使用时为出厂设置状态：

- | | | | |
|-----------|-----------|-----------|--------|
| 女性冲洗： | 臀部冲洗： | 旋转冲洗： | 圈温：中档 |
| •水温：中档 | •水温：中档 | •水温：中档 | 夜灯：开 |
| •水流强度：中档 | •水流强度：中档 | •水流强度：中档 | 节能模式：关 |
| •冲洗位置：第3档 | •冲洗位置：第3档 | •冲洗位置：第3档 | |

- | | | |
|----------------|----------|---|
| 自动翻盖功能：开，距离中 | 智感除菌功能：开 | 除臭：开 |
| 自动冲水功能：不关盖自动冲水 | 除菌水功能：开 | 水泵：开（同时长按本体侧键盘上的冲水键和女性冲洗键，短音“滴”声表示水泵开启，长音“滴”声表示水泵关闭。） |

常见问题

本指南仅作一般帮助之用。科勒公司授权的服务代表或者合格电工应当能够解决所有的电气问题。如需了解担保服务，请联系您当地的经销商或批发商。

现象	可能原因	建议措施
1. 坐便器不工作	A. 停电 B. 插头未插或者插座无电 C. 电源线插头上漏电保护开关未复位 D. 产品处于待机状态	A. 等到电力恢复 B. 插上插头或者检测电源插座 C. 按下插头上的复位按钮 D. 按一下侧面power按键，唤醒产品
2. 坐便器不冲水	A. 停水 B. 供水角阀关闭 C. 停电 D. 产品处于待机状态 E. 清洗功能正在使用中 F. 自动冲水功能被禁止	A. 等到恢复供水 B. 打开供水角阀 C. 等待恢复电力或者长按本体上辅助键盘冲水按键或者用盆盛水冲洗。 D. 按一下侧面power按键，唤醒产品 E. 待清洗功能完成再进行 F. 查看“遥控器设置指南”部分
3. 应急冲水不工作	A. 后备电池包电量低	A. 联系科勒售后服务，更换电池包
4. 坐便器冲不干净	A. 过滤网阻塞 B. 供水水压不足 C. 水泵未工作	A. 查看“清洗过滤网”部分 B. 检查角阀是否全部打开，如未全部打开，请打开；检查进水软管是否折弯过急，如折弯过急，请调整软管 C. 重新上电，若重复出现此现象，请联系科勒售后
5. 清洗功能无法正常使用	A. 停水 B. 供水角阀关闭或者未完全打开 C. 产品处于待机状态 D. 没有入座或者当前坐姿无法使座圈感应到 E. 过滤网阻塞 F. 供水水压不足 G. 坐便器正在冲水中	A. 等到恢复供水 B. 完全打开供水角阀 C. 按一下侧面power按键，唤醒产品 D. 请入座或者调整坐姿 E. 查看“清洗过滤网”部分 F. 检查进水软管是否折弯过急，如折弯过急，请调整软管 G. 等待冲水完成后再冲洗
6. 使用过程中冲洗功能停止工作	A. 连续冲洗5分钟后冲洗功能自动停止 B. 座圈未感应到人体	A. 如需要，请再次按下冲洗按键 B. 变换坐姿或者重新入座
7. 人体未入座时也能使用清洗功能	A. 座圈上有异物覆盖或者座圈是湿的	A. 移除异物或者擦干座圈
8. 使用过程中暖风风机停止工作	A. 连续使用暖风功能4分钟，风机自动停止 B. 座圈未感应到人体	A. 如需要，请再次按下暖风按键 B. 变换坐姿或者重新入座
9. 除臭风机不工作	A. 座圈未感应到人体 B. 使用过程中误按停止键 C. 自动除臭功能被禁止	A. 变换坐姿或者重新入座 B. 如需要，请离座2秒后重新入座 C. 查看“遥控器设置指南”部分
10. 不能开关盖	A. 座圈上有异物覆盖或者座圈是湿的 B. 便盖在先前开关过程中受到人为干扰	A. 移除异物或者擦干座圈 B. 使用遥控器开关便盖或手动打开便盖直至正常，便盖开关过程中不阻挡其开关
11. 不能自动开关盖	A. 用户没有进入或离开感应区域 B. 遥控器“自动翻盖”功能被关闭 C. 坐便器正在冲水中	A. 请进入或离开感应区域 B. 查看“遥控器设置指南”部分 C. 等待坐便器冲水结束
12. 夜灯不亮	A. 夜灯功能被关闭 B. 室内光线太亮	A. 查看“辅助键盘功能”中的夜灯部分来打开夜灯功能 B. 请关闭室内灯光并拉上窗帘
13. 智感除菌不工作	A. 有人坐在坐便器上 B. 座圈上有异物覆盖或者座圈是湿的	A. 请离座后关闭盖子再重新开启智感除菌及关闭坐便盖 B. 移除异物或者擦干座圈


14. 遥控器无显示	<ul style="list-style-type: none"> A. 电池电量耗尽 B. 电池极性装反 C. 遥控器未被唤醒 	<ul style="list-style-type: none"> A. 更换新电池 B. 重新正确安装 C. 触摸遥控器屏幕 靠近坐便器或落座 按遥控器唤醒键
15. 遥控器无法遥控坐便器	<ul style="list-style-type: none"> A. 电池电量不足 B. 遥控器离坐便器太远 C. 坐便器本体没有上电 D. 坐便器本体处于待机状态 E. 坐便器与遥控器未连接 	<ul style="list-style-type: none"> A. 查看“遥控器电池的使用及更换”部分来更换电池 B. 查看“遥控器与本机的通讯”部分并靠近坐便器 C. 请给本体上电 D. 按一下侧面power按键，唤醒产品 E. 查看“遥控器与本机的通讯”部分，连接坐便器与遥控器
<p>如要检修此坐便器，您必须首先：</p> <p>拔下坐便器电源插头</p> <p>如有需要，打开供水阀。</p>		
This area is intentionally left blank for additional troubleshooting steps or diagrams.		

用户责任


如果你居住地方的水质是硬性，你必须保持冲水孔清洁，令坐便器冲水正常。每星期应最少使用坐便器清洁剂清洁一次，用长把手的刷子清洁冲水孔，并尽量伸入排污管洗刷，防止矿物质积聚。


大部分厕所清洁剂都不会损坏坐便器表面的釉面陶瓷，但烦请遵照坐便器清洁剂生产商指引小心进行。

请勿使用腐蚀性清洁剂或溶剂。

 **警告：提防楼宇受损或损坏产品。**

科勒公司对此类因使用氯(次氯酸钙)而引致的冲水装置损毁，概不负责。

 **警告：在安装本坐便器时切勿使用任何凝胶材料（水泥砂浆）。**因为凝胶材料（水泥砂浆）的热膨胀可能使坐便器的脚部挤破或损坏。科勒对所有因为凝胶材料（水泥砂浆）安装而引起的坐便器破裂恕不负责。

 **警告：提防损坏产品。**

请不要向便器内冲入新闻纸、纸尿垫、妇用卫生巾等容易堵塞的物品。请不要用重力撞击陶瓷，以防止破损漏水。

不要在0°C以下的水环境中使用。

注意：智能盖板的清洗和维护详见用户手册。

注意：一定要先彻底冲洗供水管以清除管道中的杂质，使用水源为自来水或可供饮用水。